

# **marantz®**

## **Model MOUNT MT8600 User Guide**

---

VP8600 Projector Mount

**This product is exclusively designed for the Marantz VP8600 DLP projector.**

# SAFETY INSTRUCTIONS

## READ BEFORE INSTALLING EQUIPMENT

- 1. Always follow the instructions set forth in this manual when installing the projector using this bracket.**

Improper or inadequate installation could cause the projector to fall and injure someone.
- 2. The installation must be secure enough to bear the weight of the projector, the ceiling bracket, and other hardware indefinitely, and must also be secure enough to withstand vibration.**

Inadequate installation could cause the projector to fall and injure someone.
- 3. To ensure safety, all bolts and screws must be tightened securely.**

Loose bolts and screws could cause the projector to fall and injure someone.
- 4. Use only the parts provided with the bracket, and any other parts (commercially available) that are specified in this manual.**

Using other parts could cause the projector to fall and injure someone.
- 5. Do not modify the bracket or the parts provided with the bracket.**

Modifying the bracket or the other parts could cause the projector to fall and injure someone.
- 6. Do not use damaged parts.**

Using damaged parts could cause the projector to fall and injure someone. If any parts become damaged, contact your dealer.
- 7. Make sure to leave enough open space around the unit to allow heat generated by the projector to dissipate.**

Failure to provide adequate space around the unit could cause the projector to overheat internally, causing a fire.
- 8. Before replacing the lamp cartridge, always remove the projector (with the mounting adapter attached) from the ceiling bracket.**

Attempting to replace the lamp cartridge while the projector is attached to the ceiling bracket could cause the projector or the ceiling bracket to fall and injure someone.
- 9. Never hang from the projector or the ceiling bracket.**

Hanging from the projector or the ceiling bracket could cause the projector or the ceiling bracket to fall and injure someone.
- 10. Do not install the projector in a location near an air conditioning vent or in a location subject to vibration.**

Such conditions could have an adverse effect on the projector and could even cause a fire or electric shock.
- 11. Do not install the projector in a location subject to high levels of dust or humidity.**

Dust accumulating inside the projector could cause a short circuit that in turn could cause a fire or electric shock.
- 12. Do not install the projector in a location that is exposed to direct sunlight or in a location that is subject to extreme fluctuations in temperature (such as near an air conditioner).**

Such conditions can cause the projector housing to warp or to become discoloured.
- 13. Do not wipe the exterior of the ceiling mount with benzene, paint thinner or cleaning compounds.**

Doing so could damage the finish.
- 14. Special techniques and experience are essential when installing the projector using this bracket. Request that your dealer arrange to have the equipment installed. The customer should never attempt to suspend the projector from the ceiling.**

Improper installation could cause the ceiling bracket or the projector to fall and injure someone.
- 15. Once the projector is installed, safety checks should be conducted on a regular basis.**

If the projector is used over an extended period of time, screws can become loose and the installation can become weaker due to the passage of time, vibration, etc.

**This product is exclusively designed for the Marantz VP8600 DLP projector.**

# MT8600

## IMPORTANT SAFETY INSTRUCTIONS READ BEFORE INSTALLING EQUIPMENT

This product was designed and manufactured to meet strict quality and safety standards. There are, however, some installation and operation precautions which you should be particularly aware of.

1. Read instructions - All the safety and operating instructions should be read before the product is operated.
2. Retain instructions - The safety and operating instructions should be retained for future reference.
3. Heed warnings - All warnings on the product and in the operating instructions should be adhered to.
4. Follow instructions - All installation instructions should be followed.
5. Use only the parts provided with the mount, along with any parts (commercially available) that are specified in this manual.
6. Do not modify the mount or the parts provided with the mount.
7. Do not use damaged parts. If any parts become damaged, contact your dealer.
8. All bolts and screws must be tightened securely.
9. Make sure not to block any ventilation openings when installing the projector.
10. Special techniques and experience are required when installing the projector with this mount. Contact your dealer to install the projector for you.
11. Once the projector is installed, safety checks should be conducted on a regular basis.

### Warning

The ceiling should be capable of supporting a weight of at least five (5) times the projector(s) weight. If it cannot, the ceiling must be reinforced. Proper installation procedure by qualified personnel as outlined in the installation instructions must be adhered to. Failure to do so could result in serious personal injury.

### Hardware List

- |  |                                      |
|--|--------------------------------------|
| 1. Four (4) 3/8 (inch) nuts              | 7. One (1) Ceiling Mount #1          |
| 2. Fourteen (14) 3/8 (inch) flat washers | 8. Two (2) Base Plate Connectors     |
| 3. Four (4) 8 (mm) screws                | 9. One (1) Horizontal Tilt Plate #2  |
| 4. Twelve (12) 1/4" screws               | 10. One (1) Horizontal Tilt Plate #3 |
| 5. Two (2) 1" rubber washers             | 11. One (1) Projector Plate #4       |
| 6. Two (2) 1" flat washers               |                                      |

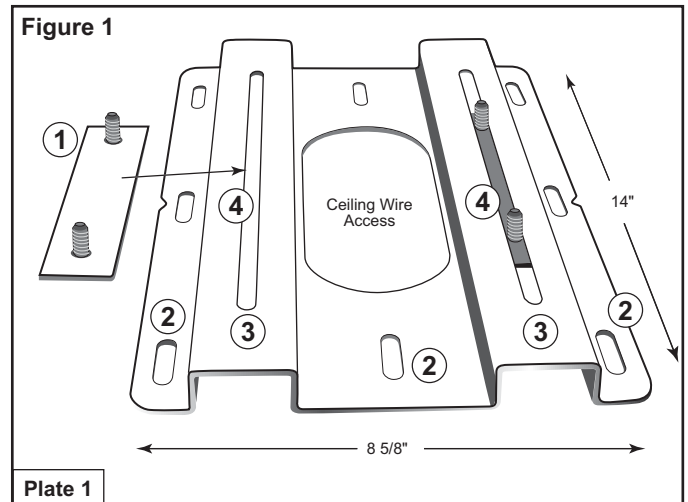
### Adjustment Ranges and Load Allowances

Horizontal Tilt (yaw)	+/- 10 degrees
Vertical Tilt (tilt)	+/- 20 degrees
Rotation	+/- 15 degrees
Lateral Shift	+/- 2 1/4 inches
Maximum Load Allowance	32 Lbs.

## PROJECTOR MOUNT INSTALLATION INSTRUCTIONS

### Step 1

**Base Plate Connectors #1 and Projector Mount Ceiling Plate 1 with ceiling mounting holes #2.**

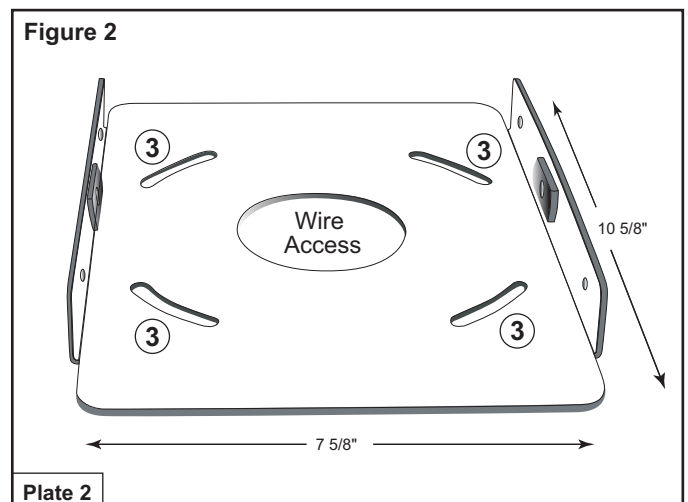


Base Plate Connectors #1  
Projector Mount Ceiling Plate 1

Insert Base Plate connectors #1 into the lateral positioning slots #3 as shown in #4 from the underside of Plate 1. The lateral positioning slots will give you 2 1/4 inches of lateral adjustment for projector alignment.

### Step 2

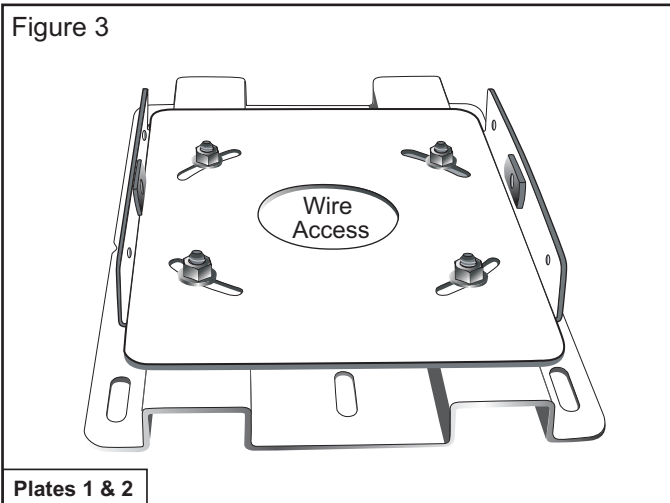
**Horizontal Adjustment Plate 2 (Base Plate Connector Holes #3).**



Base plate connector holes #3 provide 15 degrees of horizontal rotation adjustment. Attach horizontal adjustment Plate 2 to projector mount ceiling Plate 1 using the four (4) 3/8 (inch) nuts and washers provided.

**Step 2 B**

**Horizontal Adjustment Plate 2 (Figure 2) attached to Projector Mount Ceiling Plate 1.**

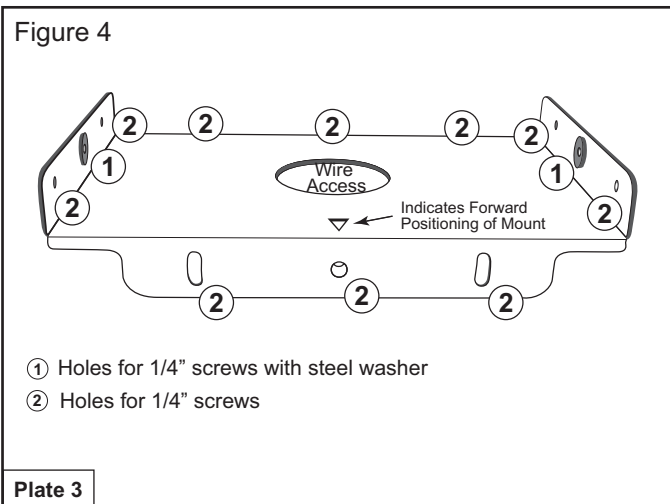


Install the combined plates (above) securely to the ceiling structure in accordance with local commercial building standards.

Use suitable hardware in adequate quantity and size depending on the installation requirements. (Please note that Projector VP8600 weighs 31.1 lbs. (14.1 kgs).)

**Step 3**

**Horizontal Tilting Plate 3**

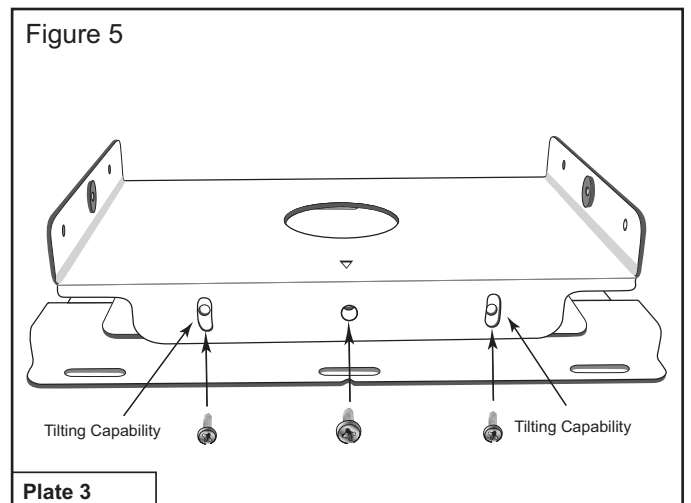


- ① Holes for 1/4" screws with steel washer
- ② Holes for 1/4" screws

Attach Horizontal Tilting Plate 3 to the previously combined plates (already installed on ceiling) using the 1/4in. screws provided, as indicated in Figure 4. Install two (2) 1/4in. screws with metal washers into the welded metal studs (indicated #1).

**Step 3 B**

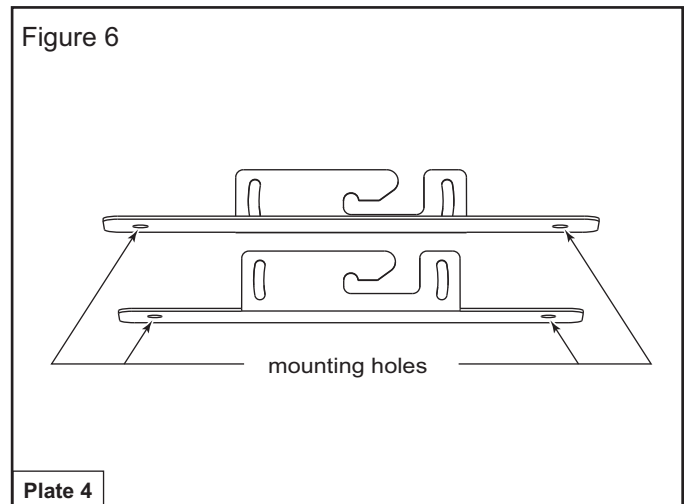
**Horizontal Tilting Plate 3 Attached to Plates 1 and 2.**



The newly combined Plate 3 provides 10° degrees of horizontal tilt. When positioned, tighten with screws provided.

**Step 4**

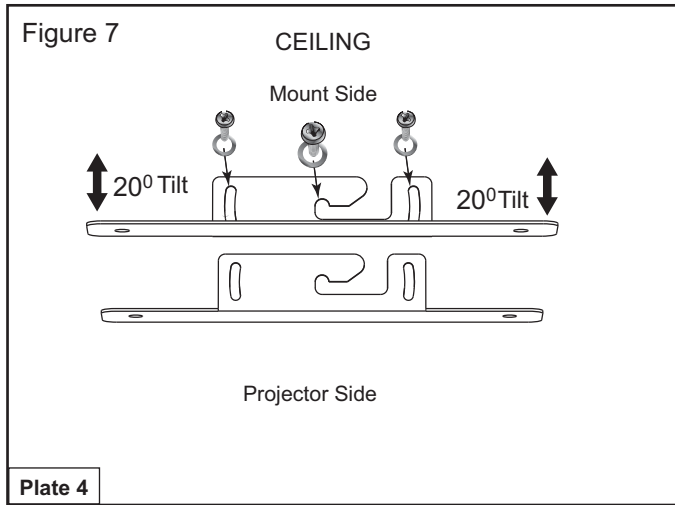
**Projector Mounting Plate 4**



Invert the projector and place it on a soft and flat surface. Align the four (4) flat washers provided with the four (4) 1/4in. mounting holes on the projector and secure with four (4) 1/4in. screws provided.

**Step 4 B**

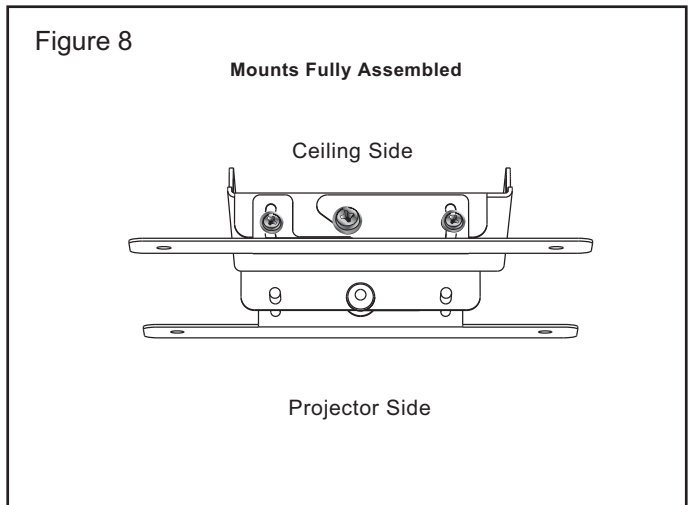
**Projector Mounting Plate 4 (continued)**



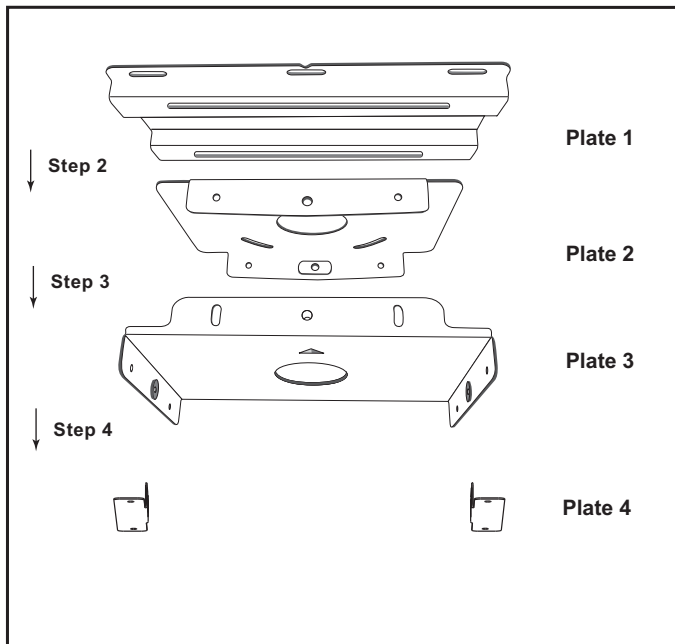
Work in a group of 2 or more to carry the projector and follow manufacturer's guidelines for relocating as stated in the VP8600 owner's manual.

Lift and slide the projector onto the 1/4in. screws previously installed in the metal studs of the plate on the ceiling (see arrow in Figure 7). Tighten the 1/4in. screws on both sides of the mount and install four (4) 1/4in. screws and washers into the side of the projector Mounting Plate 4.

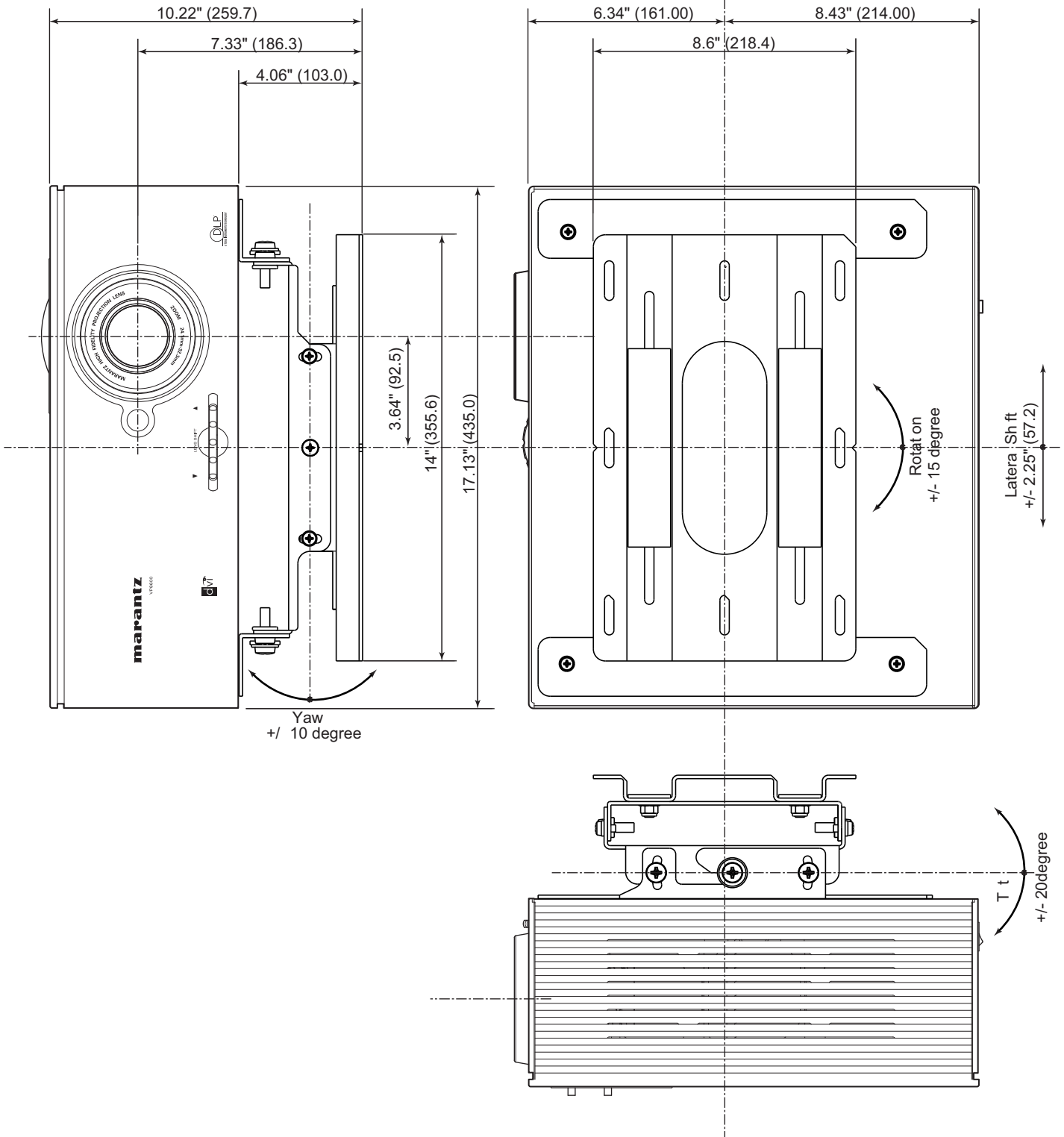
**Projector Mounting Plate 4 connected to Mounting Plate 3**



**Sequence of Assembly of Projector Mounting Plates**

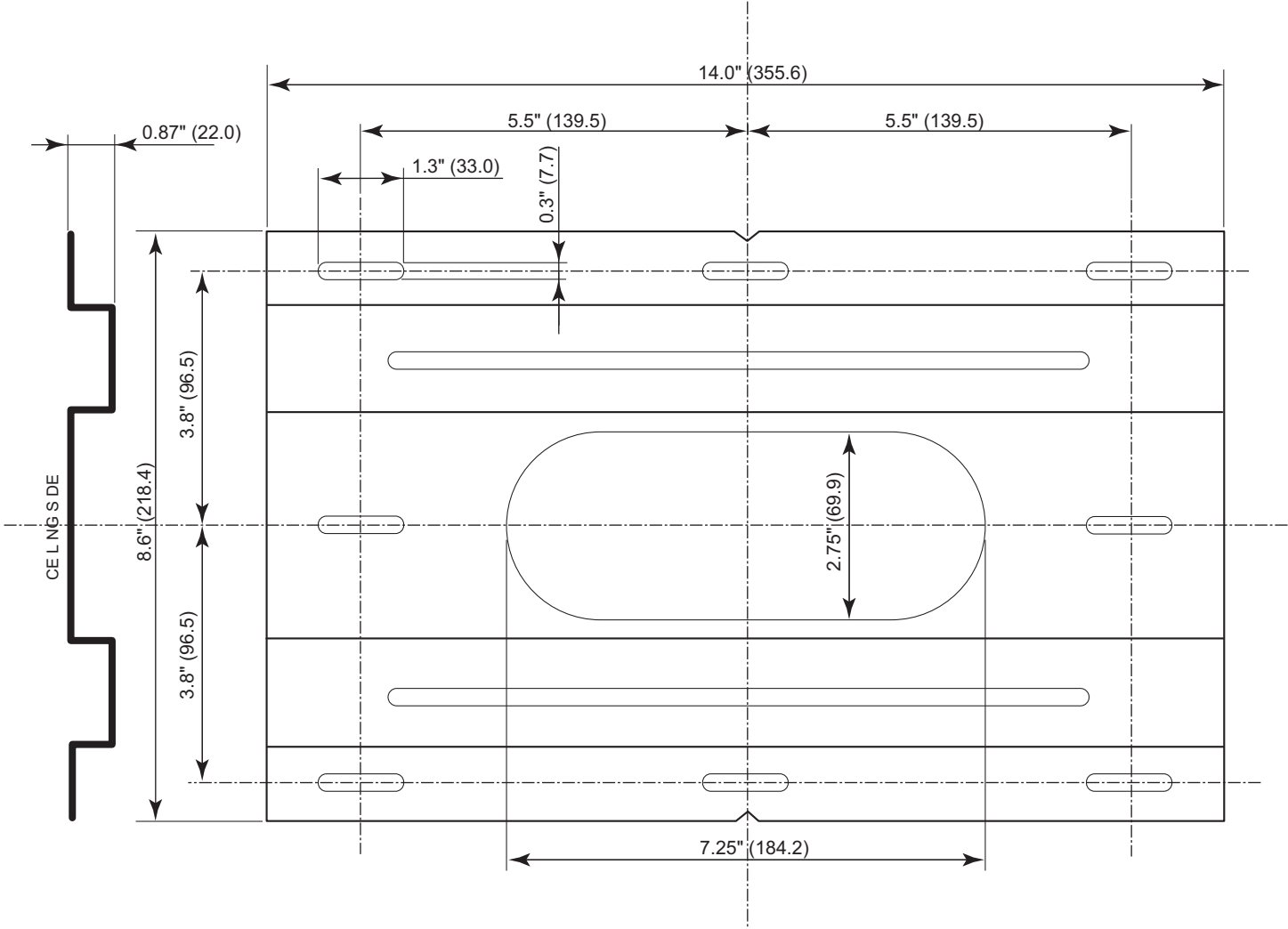


# Assembly Drawing



Unit: inch (mm)

**Ceiling Plate Templates**



Unit: inch (mm)

**marantz**  
 1100 Maplewood Drive  
 Itasca, IL 60143  
 Phone: 630 741-0300 Fax: 630 741-0301  
 You can find your nearest Marantz authorized dealer  
 on our website at: [www.marantz.com](http://www.marantz.com)